

Smart digital AV solutions

Smart-*e*

Reinventing
connectivity
with
4K UHD modular
universal
transceivers



www.smart-e.co.uk
t: +44 (0)1306 628264

Contents page

4Konnnect modular design information 2

4K UHD digital signage solutions 3-4

- 4K-1:3 - 1 in and 3 out HDMI/HDBT splitter
- 4K-3:9 - 19" rack mounting 4K-1:3
- 4K-9:9 - 19" rack mounting modules

4K UHD signal distribution modular solution for residential & business use 5

4K UHD presentation switcher with modular I/O 6

smartiP: software control & management system 7

Professional AV equipment

Founded in 1999 Smart-e pioneered the transmission of high resolution multi-media audio visual (AV) signals over a single Cat5-8 cable. Since then we have designed and manufactured a wide range of switching and distribution equipment used around the world for over 100,000 AV-based displays.

Our products provide professional high performance, content rich AV links between single and multiple source devices to a diverse range of displays. Professionals trust us because we have the technical knowledge and proven experience in the design and manufacture of innovative and reliable solutions that won't let them down, an essential ingredient when the majority of our products form the operating core.

Diverse applications

Smart-e systems run demanding, mission critical applications for many command centres around the UK, and as specified designers and manufacturers of equipment for many of the world's top banks, our products are relied upon to run building-wide, multi-format video distribution systems. The use of a single cable combined with compact product design, and the flexibility of multi-functional features, including IP control, offers professionals a wide range of AV solutions in different environments, including:

- ▶ Corporate communications
- ▶ Entertainment
- ▶ Presentation
- ▶ Digital Signage
- ▶ Interactive & remote teaching
- ▶ Security & surveillance



Environmentally friendly

With a strong commitment to helping the environment, we design energy reducing features into our equipment. For example our smartiP software allows the scheduling of screens which can be automatically turned off at night, reducing power consumption and saving money.

Our packaging is made from recycled materials and we encourage our partners to subscribe to a sustainable policy to mirror our own remit of recycling waste, reducing energy usage and limiting our carbon footprint where possible ... our managing director even cycles to work!



As a trusted supplier of high quality equipment with a growing range of AV products, and a reputation for technical innovation, you'll find a Smart-e solution to meet your needs.

3 year WARRANTY

Support & warranty

We offer excellent technical on-line and telephone support covering the whole of the UK. Detailed instructions are available as downloads from our website, and technical training days are held regularly. All our products include a 3 year return-to-base warranty, as well as an extended warranty option.

15 year lifetime guarantee

We promise to support all our equipment for up to 15 years from date of purchase

Not sure what you need?

Call us and we'll talk you through the options
t: +44 (0) 1306 628264

4K evolution from Smart-e

Based on a modular design, each product within our new 4Konnnect range incorporates a number of 4K UHD transceiver modules for the ultimate 5-Play connectivity of Ultra High Definition Video, Audio, Control, Ethernet and Inline power, capable of transmission over 100m of Cat6 cable. The modules can be used in a variety of ways, mixing and matching for the desired result. It is as simple as 1-2-3:

1: INPUTS

Select your desired inputs, which can be HDMI or HDBaseT

2: OUTPUTS

Select your desired outputs, which can be HDMI or Universal HDBaseT (full 100m or Lite)

3: INSTALL

Now you have customised your product to exact requirements. Simply plug in and enjoy



Family of HDMI modular products incorporating the next generation of AV solutions to support & extend 4K resolutions



- Each module has independent and complete input and output processing capabilities

- Once connected to a Smart-e product, the modules support UHD video, IR, RS232, 100BaseT Ethernet & remote power (POH)

- Internal firmware provides for extra performance monitoring, signal integrity & product connection status

- Modules are interchangeable allowing easy configuration and re-purposing for different combinations & functionality



- Multiple units can be daisy-chained via local HDMI connections
- Compact size for easy integration into a wide range of AV equipment
- Field upgradeable
- Robust & extensive testing for reliability
- Designed & manufactured in the UK



4K UHD signage solutions



The 4K-Signage range supports full HDMI digital video and embedded audio, with complete support for HD 720p, 1080p, Ultra HD 2K and 4K resolutions. The range can be interconnected with any other 4Konnnect modular product which allows the designer to configure the install exactly as needed.



4K-1:3

DIGITAL SIGNAGE
Duplicate video signals across 250+ screens

4K-1:3 - 1 in and 3 out HDMI/HDBT splitter

The new 4K-1:3 splitter's ability to be configured as a transmitter or receiver offers a wealth of options when designing and building AV distribution systems. The 4K-1:3 is particularly useful for digital signage applications where it can be used to duplicate video signals across 250+ screens.

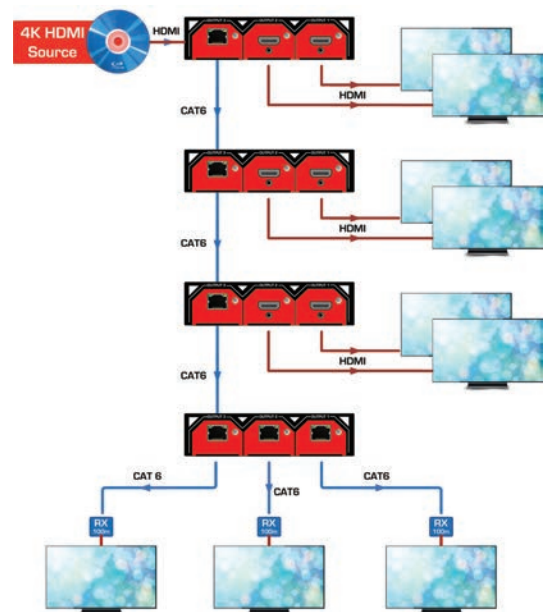
This modular HDMI and HDBaseT splitter has at its heart a 1 input x 3 output distribution amplifier (DA) with a looping input. It can function as a transmitter or receiver/repeater simply by swapping the input module type. Signals can be distributed to local HDMI screens or up to 100m away using the HDBaseT modules. Multiple units can be cascaded together creating extremely versatile solutions for many applications to a combined distance of 500m (5 levels of Cat6 distribution). Infrared and RS232 control can be passed through to each display to allow for integrated control solutions.

Digital Signage for airports, train stations, retail parks etc. As well as: PC extension & Video Walls

4K-3:9 - 19" rack mounting 4K-1:3

The new 4K-3:9 Rackspace unit can house up to 3 x 4K-1:3 units in a convenient 19" chassis. Each splitter is autonomous allowing for 3 independent HDMI sources to be split to 4 different displays. However, by using the looping input to interconnect between the splitters larger output systems can be created i.e. 1:6 or 1:9 in the same chassis.

The Rackspace 3:9 is a 1U high standard 19" rack mounting unit with a depth of 300mm. The unit comes with an integral IEC mains input and universal voltage power supply (90-240VAC) which is able to provide inline power to all 9 receivers connected to the Cat6 cables. The 4K-3:9 is a reliable and professional method for cabling multiple units together.



Cascading example for 9 screens

4K UHD signage solutions



- HDMI, DVI-D & DisplayPort formats
- Deep Colour 3D, 4K and 2K resolutions
- 100m of Cat6a cable via HDBT
- HDCP compliant
- Ethernet passthrough to receivers
- Uses easy-to-install single Cat5e-8 cable
- Transparent RS232 & IR passthrough
- Inline power to TX/RXs
- Full 4K resolution
- 4K Modules
- 19" x 1U rack mountable

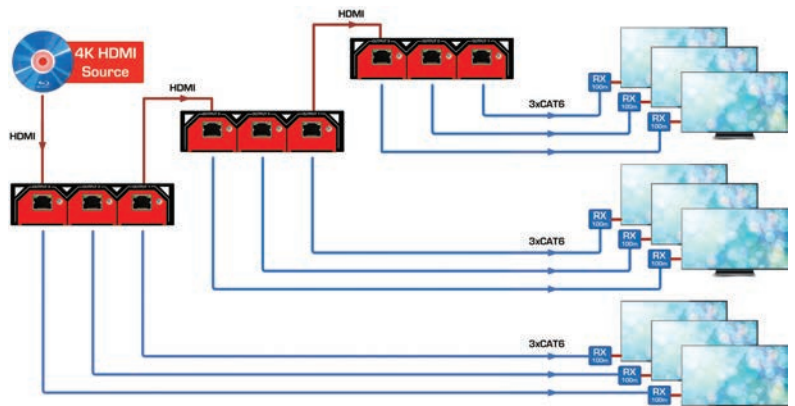


4K-9:9

Great for extending signals to PCs, video walls, KVM etc.

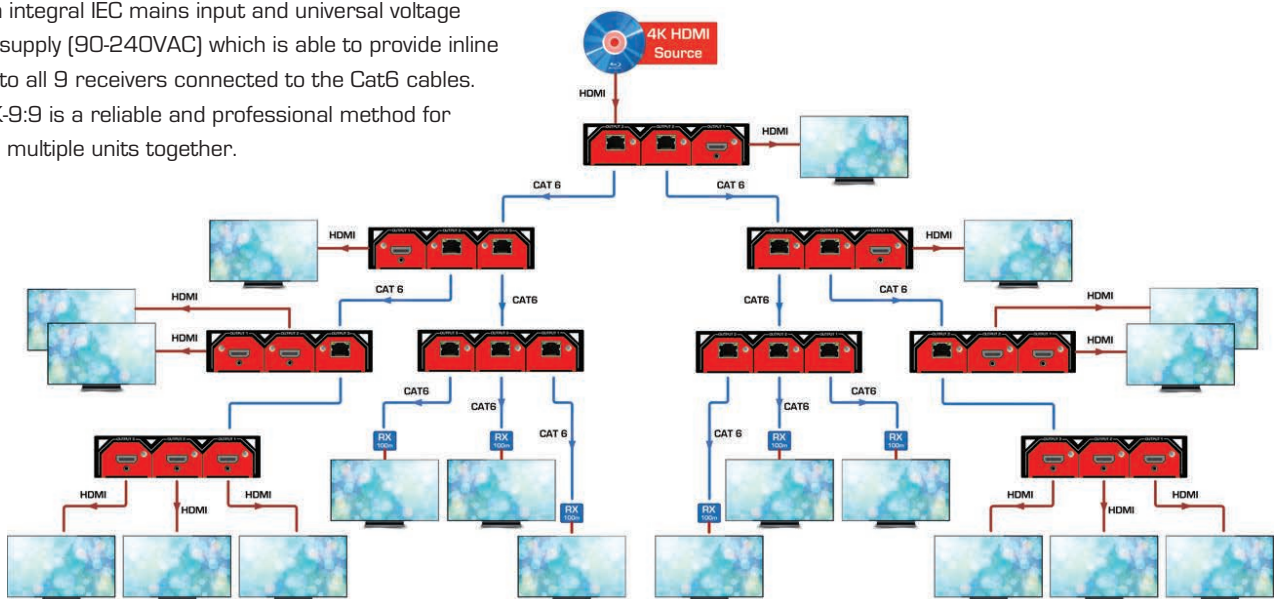
4K-9:9 - 19" rack mounting modules

The new 4K-9:9 Rackspace unit can house up to 9 x 4K modules in a convenient 19" chassis. Each module is autonomous allowing for 9 independent HDMI sources to be transmitted or received via Cat6 cable. Each module space connects passively to the rear panel so a mix of transmit and receiver modules can reside in the same chassis. Ideal for extending PCs long distances for video wall applications and many other applications.



Daisy-chaining 9 screen solution

The Rackspace 3:9 is a 1U high standard 19" rack mounting unit with a depth of 300mm. The unit comes with an integral IEC mains input and universal voltage power supply (90-240VAC) which is able to provide inline power to all 9 receivers connected to the Cat6 cables. The 4K-9:9 is a reliable and professional method for cabling multiple units together.



Building a tree structure



4K UHD signal distribution modular solution for residential & business use



Easy-to-install 4K-4x4 HDMI or HDBaseT configured high-end home entertainment system enables AV signals to be switched between four ultra-high definition video sources.

HDMI or HDBaseT configuration



4K-4x4

- Residential entertainment AV distribution
- Small business TV distribution
- Education auditorium distribution

Residential and office system

This new 4K -4x4 UHD Audio Visual (AV) distribution matrix combines the highest quality signal switching with long range cable transmission using Cat6/6a cabling. The unit features four inputs x four outputs that enable HDMI signals to be switched between four UHD video sources to four 4K compatible screens installed locally to the matrix or up to 100m away.

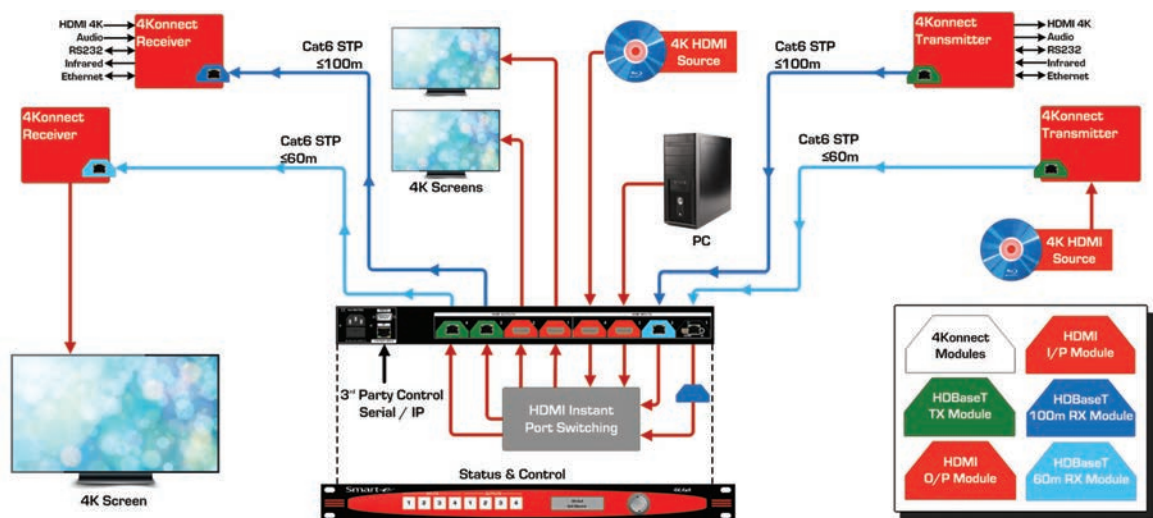
Each of the inputs and outputs are user configurable by fitting a module which can be native HDMI or HDBaseT, guaranteed future-proofing by supporting 4K UHD resolutions. Being modular allows the user to specify the exact quantity required, more can be added later by upgrading on-site.

The 4K-4x4 supports full HDMI digital video and embedded audio, with complete support for HD 720p, 1080p, Ultra HD 2K and 4K resolutions including EDID management and HDCP compliance. The unit incorporates Smart-IR, a system allowing individual IR control of each output together with IR passthrough - allowing remote control of each AV source device from the display end.

The 4K-4x4 can also be controlled through an IP connection supporting DHCP, SNMP and 3rd-party control for Crestron, AMX, Control4 etc. The connection to the LAN is also fed to each of the 8 x Cat6a cables for LAN connection to your display devices such as Smart TVs.

The 4K-4x4 can be interconnected with any other 4Konnnect modular product which allows the designer to configure the install exactly as needed.

- HDMI, DVI-D & DisplayPort formats
- Deep Colour 3D, 4K and 2K
- 100m of Cat6a cable
- HDCP compliant
- Ethernet passthrough to receivers
- Uses easy-to-install single Cat5e-8 cable
- Transparent RS232 & IR passthrough
- Inline power
- Full 4K resolution
- 4 input bays & 4 output bays
- 19" x 1U rack mountable
- Secure HDMI connectors
- Built-in PSU with IEC connector
- High ground loop immunity



Smart-e

www.smart-e.co.uk
t: +44 (0) 1306 628264

4K UHD presentation switcher with modular I/O

4Konnnect

Versatile 'all-in-one' 4K-4x2 HDMI presentation switch combines audio and video switching capability.



4K-4x2

HDMI or HDBaseT configuration

- Meeting/ Board Rooms
- Collaborative Video
- Conferencing systems
- Lecture theatres
- Training/ conferencing facilities

Presentation switch

This new 4K -4x2 UHD Audio Visual (AV) presentation switcher combines the highest quality signal switching with long range cable transmission using Cat6/6a cabling. The unit features four inputs x two outputs that enable HDMI signals to be switched between four UHD video sources to two independent 4K compatible screens installed locally to the matrix or up to 100m away.

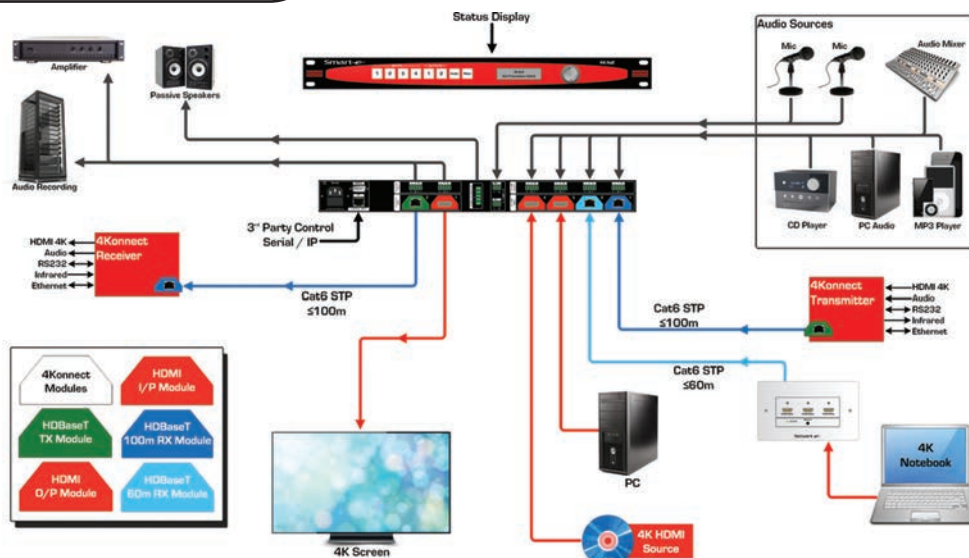
Each of the inputs and outputs are user configurable by fitting a module which can be native HDMI or HDBaseT, guaranteed future-proofing by supporting 4K UHD resolutions. Being modular allows the user to specify the exact quantity required, more can be added later in the future by upgrading onsite.

The 4K-4x2 supports full HDMI digital video and embedded audio, with complete support for HD 720p, 1080p, Ultra HD 2K and 4K resolutions including EDID management and HDCP compliance. In addition to the embedded audio there is a separate switchable stereo audio layer. The unit incorporates Smart-IR, a system allowing individual IR control of each output together with IR passthrough – allowing remote control of each AV source device from the display end.

The 4K-4x2 can also be controlled through an IP connection supporting DHCP, SNMP and 3rd-party control for Crestron, AMX, Control4 etc. The connection to the LAN is also fed to each of the 8 x Cat6a cables for LAN connection to your display devices such as Smart TVs.

The 4K-4x4 can be interconnected with any other 4Konnnect modular product which allows the designer to configure the install exactly as needed.

- HDMI, DVI-D & DisplayPort formats
- Deep Colour 3D, 4K and 2K
- Separate stereo audio layer
- Internal 50W audio amplifier
- 100m of Cat6a cable via HDBT
- HDCP compliant
- Ethernet passthrough to receivers
- Uses easy-to-install single Cat5e-8 cable
- Transparent RS232 & IR passthrough
- IP control
- Inline power to TX/RXs
- Full 4K resolution
- 4 input bays & 2 output bays
- 19" x 1U rack mountable
- Front panel status & control

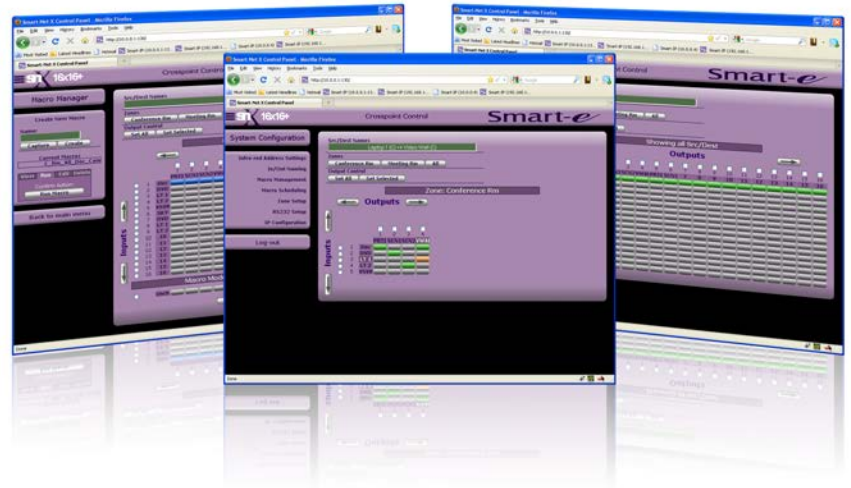


Software control & management system

smartIP

smartIP is our own independent software control platform, providing the interface between the user and the central matrix.

- IP software control
- Integral web browser
- Macros & scheduling
- Zone inputs to specific displays
- Multiple matrix control
- Image correction process (ICP)
- Integrated display management
- Dedicated hardware
- Multi-user facility



Remote software control

SmartIP is our own independent software control platform that provides the interface between the user and a centralised matrix and distribution system. Compatible with all Smart-e products, smartIP is used for a wide range of applications from command and control rooms, call centres and banks, to entertainment systems.

Functions

There are many functions available using our smartIP software, and below are just a few examples:

- ▶ **Macros:** single button press reconfigures your entire matrix in seconds
- ▶ **Set all/selected destinations:** save time as simple check boxes allow quick and easy selection
- ▶ **Integrated display management:** screens turn on/off at predetermined times reducing power and the environmental impact
- ▶ **Multi-user facility:** secure multi-user log-on
- ▶ **Scheduling:** switch content at predetermined times to refresh and keep audience attention. Rotate adverts, with news and video feeds
- ▶ **Image correction process:** automatically adjusts image quality to take account of varying cable lengths
- ▶ **Zoning:** avoid mistakes by assigning inputs to specific displays
- ▶ **IP control:** seamless integration into third-party control systems
- ▶ **Web browser:** integral web browser provides 'stand-alone' solution