



**4K UHD HDMI  
USB 2.0 KVM  
extender**

**Product: 4K-5W155  
4K USB 2.0 KVM**

**Comprehensive KVM solution using Cat 6 or Fibre  
for 4K UHD HDMI, USB 2.0, RS232 signals &  
bi-directional IR**



- USB 2 keyboard video & mouse extender
- UHD 2K and 4K, 1080p resolutions
- HDCP 1.4 compliant, HDMI V1.4
- Supports 1920x1200 @ 60 Hz
- 100m Cat6 extension
- 60km single mode fibre extension
- 4K@60Hz colour space 4:2:0
- RS232 full duplex and pass-through
- Dolby TrueHD, DTS-HD Master Audio
- Total 10.2 Gbits/s data rate
- Point to point Unicast & Multicast
- Lockable DC connector
- EDID management
- Video wall feature – 8x16

**Transmit 4K UHD HDMI signal together with USB 2.0, RS232 and IR  
over a single CAT6 or fibre cable**

The Smart-e **4K-5W155** is a high resolution 4K UHD KVM extender for USB 2.0 together with RS232 pass-through and bi-directional IR control capable of transmitting over 100m of structured cabling or 60km of fibre optic cable

The **4K-5W155** is a combination of a transmit/receiver pair capable of transmitting HDMI signals up to 4K UHD resolutions over 100m of Cat 6 cable or 60km of fibre.

The 4K HDMI & USB over IP Extender is a solution for audio, video and USB signal extension via Local Area Network (LAN). It can be used as audio, video and KVM extender over IP and applied to point to point, point to multi-point, multi-point to multi-point and screen wall broadcast system controlled by USB, RS232, IR and configured the 4K HDMI & USB over IP Extender by web browser. An easy installation system built up with Giga Ethernet switch which has IGMP function and CATx cable for extension or broadcast.

The 4K range is from a family of digital extenders & matrices using standard CAT 6-8 STP cable to transmit HD signals over long distances

Smart-e

DESIGN



INNOVATE



ORIGINATE


**SPECIFICATION - GENERAL**
**Video – Digital**

Standards	DVI 1.0, HDMI 1.4. HDCP 1.4
Maximum data rate	1.65Gbps per colour
Maximum pixel clock	165MHz
Resolution range - DTV	480i, 480p, 720p, 1080i, 1080p, 2K, 4K
Resolution range - PC	VGA, SVGA, XGA, SXGA, UXGA
Frame rate	24, 25, 30 Hz
Colour depth	up to 12 bits per colour
Formats	RGB and YCrCb
Colour space	4:2:0

**Audio – Digital**

Standards	Embedded within the HDMI signal
Maximum audio channels	8
Maximum sample rate per channel	192 kHz
Sample size	16-24 bits

**R232**

Standards	RS232
Maximum signalling rate	19.2 kbaud
Protocol	Transparent
Type	Full duplex

**Power**

DC Voltage	2 x 5V PSU
AC Voltage	100-230 VAC
AC frequency	50/60 Hz
Power	60 Watts

**Cat cable connectivity**

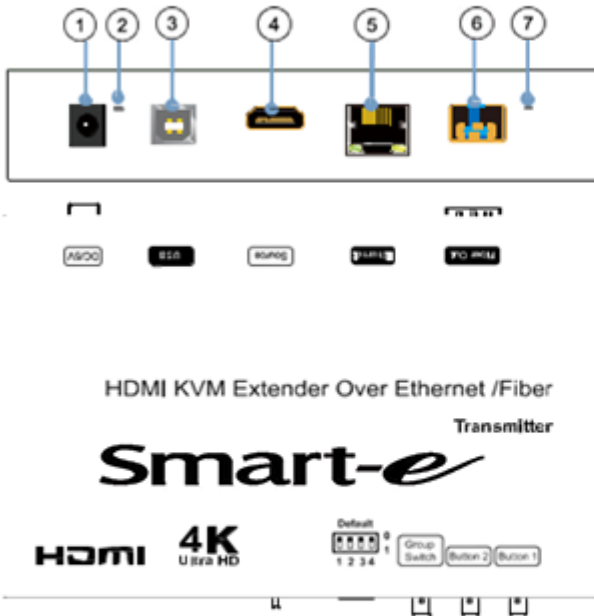
Number of cables	1 x Cat 6/6A screened twisted pair cables
Connectors	1 x female screened RJ45 connectors per unit
Termination standard	TIA/EIA T568B
Cable requirements	Solid conductor, 24 AWG or better
Cable recommendations	400 MHz bandwidth STP (shielded twisted pair)
Transmission distance	100m shielded twisted pair CAT 6 or CAT 6A



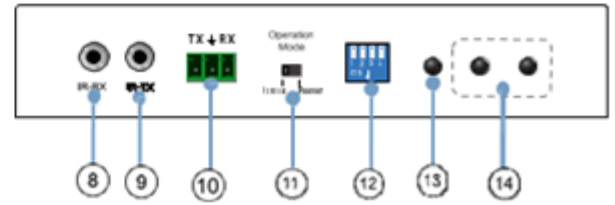
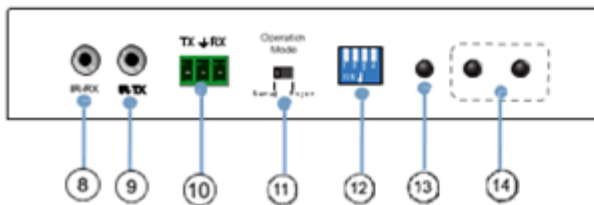
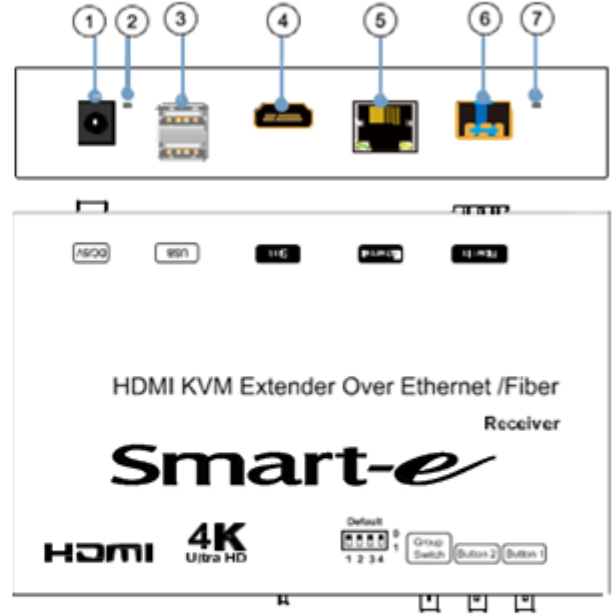


PANEL DRAWINGS

FRONT PANEL DETAILS



REAR PANEL CONNECTIONS



Smart-e

DESIGN



INNOVATE



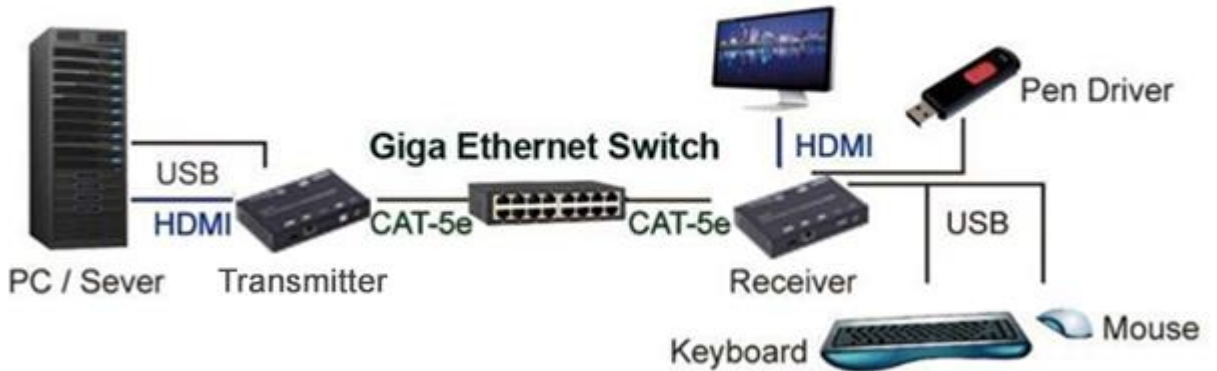
ORIGINATE

specifications are subject to change without notice

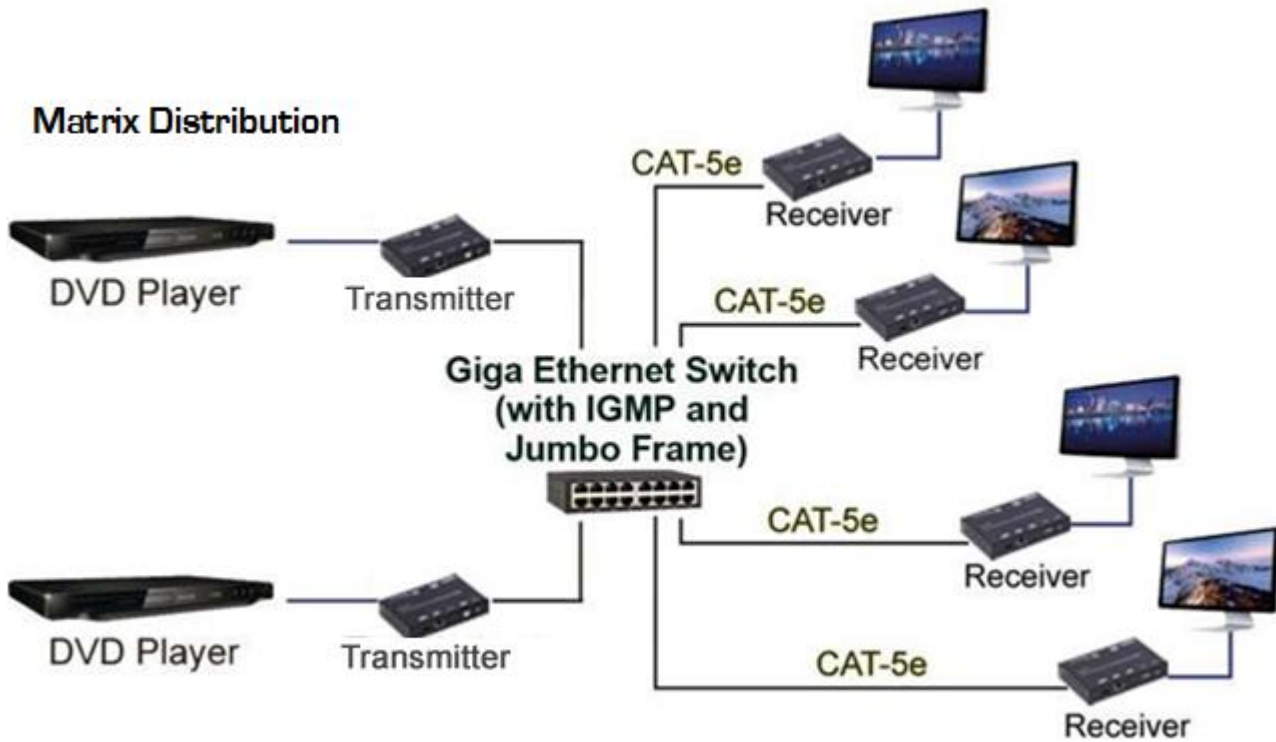


APPLICATION DRAWINGS

KVM Application



Matrix Distribution



smart-e

DESIGN

INNOVATE

ORIGINATE

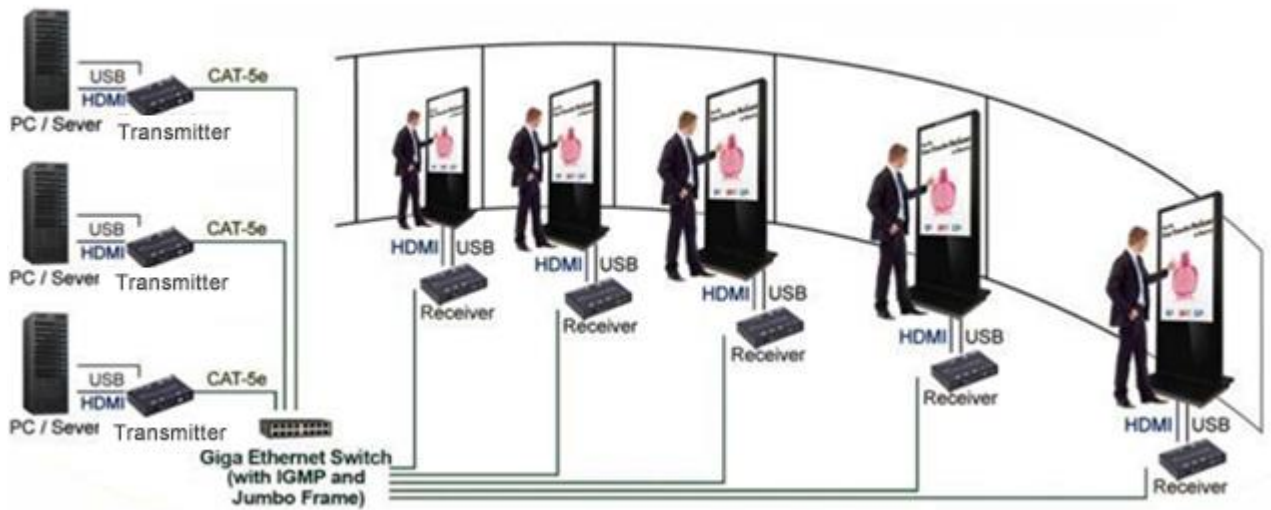


specifications are subject to change without notice

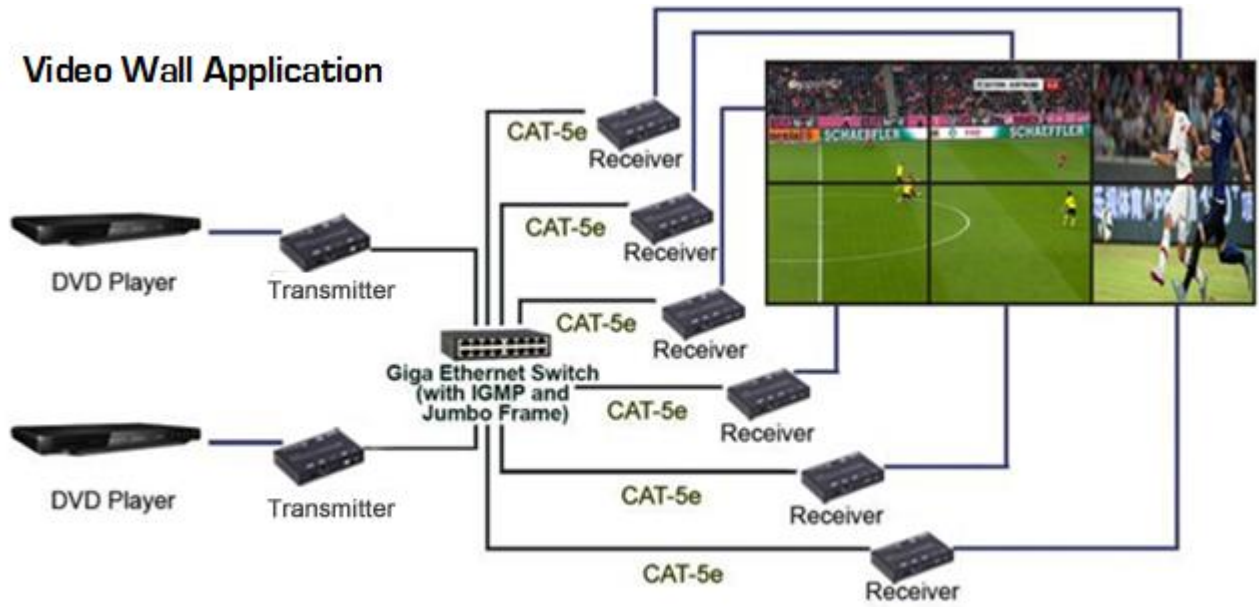


APPLICATION DRAWINGS

USB 2.0 Touchscreen Application



Video Wall Application



smart-e

DESIGN



INNOVATE



ORIGINATE



specifications are subject to change without notice