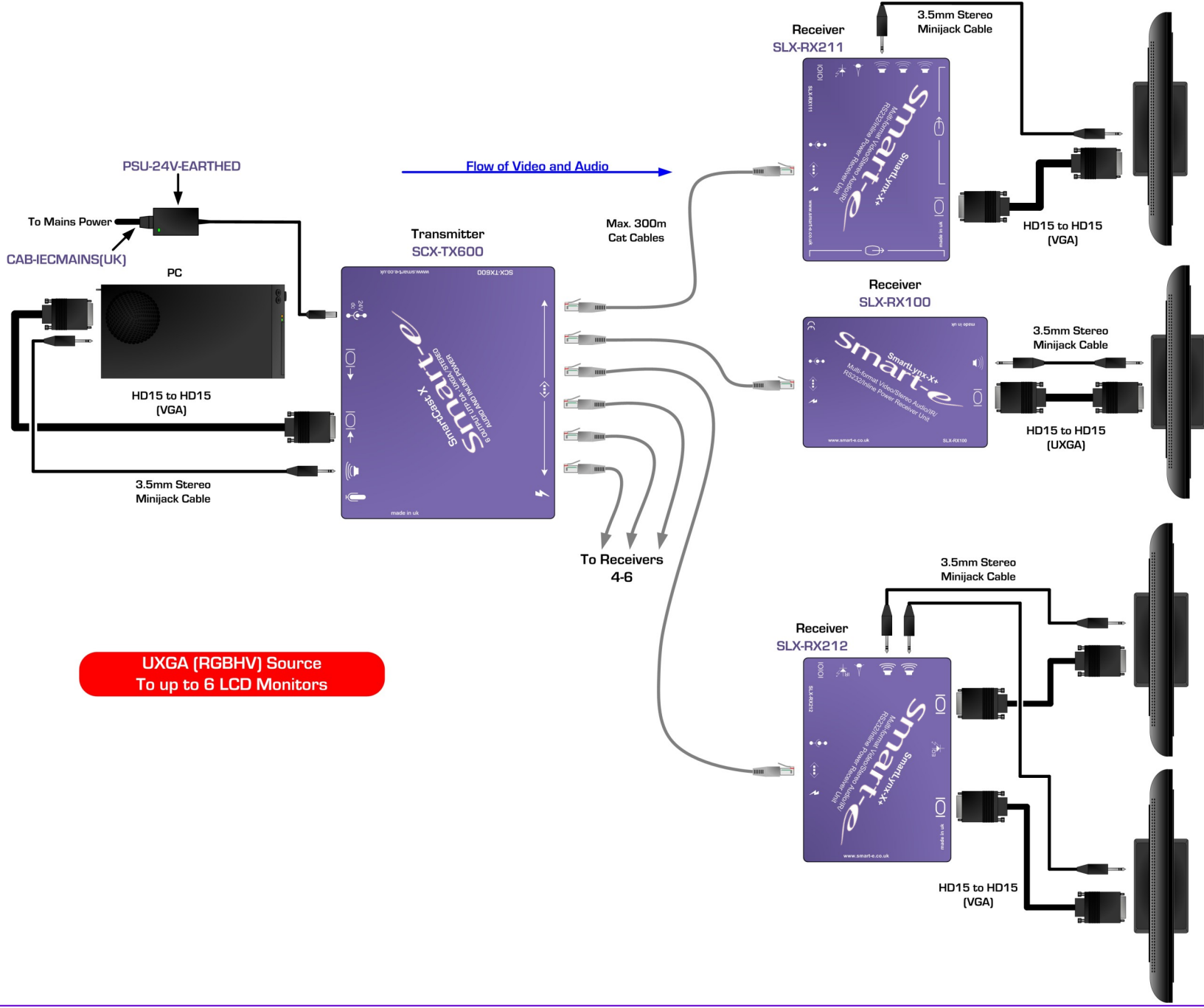




SCX-TX600 Quick Reference Guide



**UXGA (RGBHV) Source
To up to 6 LCD Monitors**

System Contents Quick Identification:

Contents Checklist

ITEM	Part Code	Number
Transmitter	SLX-TX600	1
24V Power Supply	PSU-24V-EARTHED	1
Mains Cable	CAB-IECMAINS(UK)	1




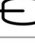






Receiver Options

Part Code	Description	Supported Formats
SLX-RX100	Receiver for Video and Audio	RGBHV
SLX-RX111	Short Range Receiver for Video and Audio plus control signals	CVBS, Y/C, YPrPb, RGBHV, RGBS
SLX-RX211	Long Range Receiver for Video and Audio plus control signals	CVBS, Y/C, YPrPb, RGBHV, RGBS
SLX-RX212	Dual Screen Receiver for Video and Audio plus control signals	YPrPb, RGBHV
SLX-RX212D	Cascadeable Dual Screen Receiver for Video and Audio plus control signals	YPrPb, RGBHV

Cable Distances:

Cat5 Cable Length	Maximum Resolution
200m	UXGA (1600x1200)
200m	1080p (1920x1080)
300m	SXGA (1280x1024), 720p (1280x720), SDTV

Smart-e Unit ICONS

ICON	Function
	Audio IN
	Audio OUT
	Video IN
	Video OUT
	VGA (RGBHV)
	Cat5
	PSU Connector
	Power LED
	Infra-Red Receiver
	Infra-Red Emitter
IOIOI	RS232

Cable Wiring:

Cat5 - T568B Wiring specification:

	Pin Number & Colour	
Pair 1	4 	5 
Pair 2	1 	2 
Pair 3	3 	6 
Pair 4	7 	8 

