



## Smart Digital Solutions **SDS-TX950**

Flexible and cost effective multi-signal extender  
for distances up to 100m of standard CAT5e-8



### The Smart-e SDS-TX950 features

- HDMI V1.3a & DVI V1.0
- Deep Colour
- 100m of CAT5e-8 STP cable
- HDCP V1.3 compliant
- RGBHV, YPrPb, Y/C and CV inputs
- Multi-scaled output resolutions
- Noise reduction and de-interlacing ADC
- Supports 1920x1200 @ 60 Hz
- Wide bandwidth IR transmission
- Analogue audio input—embedded
- Transparent RS232 pass-through
- Secure HDMI connector
- HDMI monitor output
- RS232 control of input
- Button control of channel
- Convenient fixing holes
- Cost effective, multi-function unit

The SDS-TX950 is a multi-function transmitter designed to extend and scale multiple signal types including HDMI, DVI, RGBHV and standard definition analogue video signals together with reverse IR and bidirectional RS232 signals over a single twisted pair CAT 5e-8 cable. The units use HDbaseT technology to extend PC resolutions up to 1920x1200 @60Hz together with 1080p @60Hz

**Switch, scale and extend HDMI, DVI, RGBHV, YPrPb, Y/C and CV with IR and RS232 over a single 100m of CAT 5e-8 cable**

The SDS-TX950 is a robust professional product designed to facilitate mixing current digital video formats with legacy equipment. Signals connected to the unit can be selected via either a front panel button or via RS232 commands.

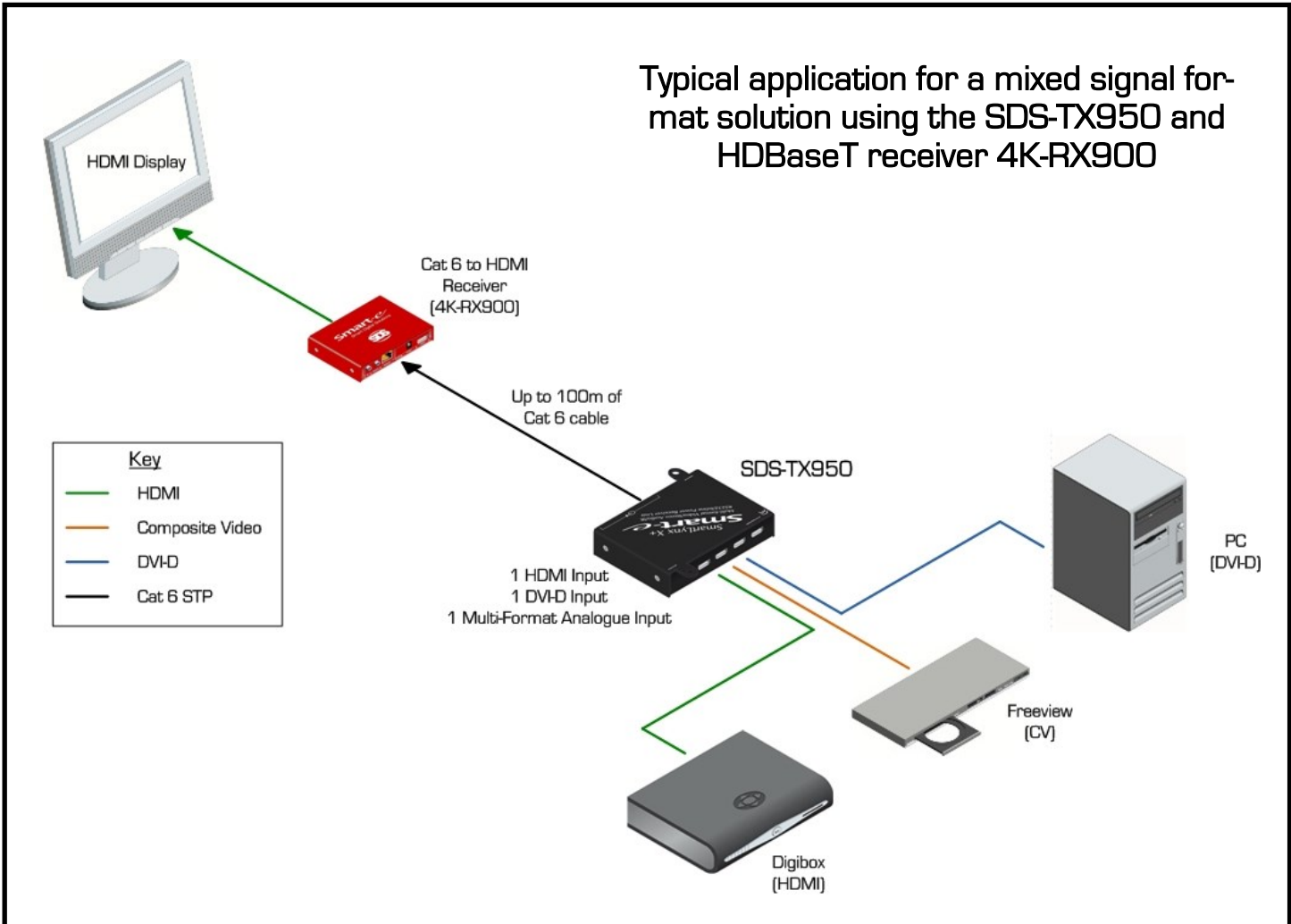
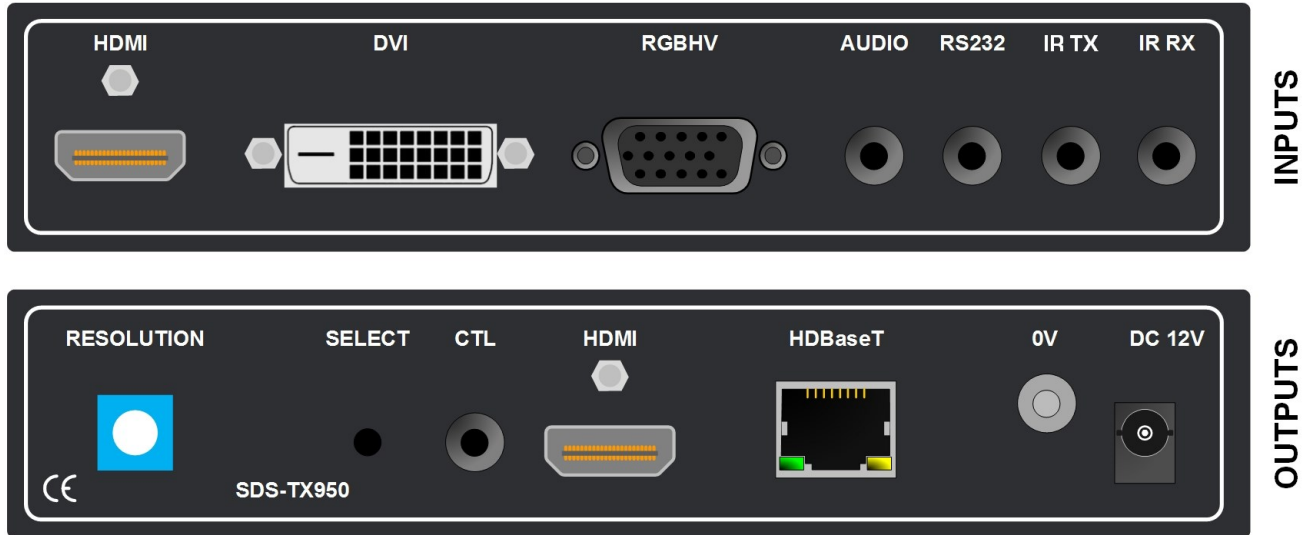
A separate analogue stereo audio input is digitised and embedded into the scaled HDMI output. Analogue video formats connect through the HD15 connector via interface cables are then signal processed for noise reduction, brightness, contrast adjustment and de-interlacing if necessary before being scaled to the desired resolution. A simple rotary switch selects the output resolution from 800x600 up to 1080p in 10 standard steps.

A separate HDMI output allows the monitoring of the selected input source after scaling. Each box has convenient fixing holes for ease of installation .

The SDS-900 range from Smart-e provides a flexible and cost effective solution for point to point transmission for a single source to a single display



## Front and rear panel connections





## SDS-TX950 Specification

### Digital Video

Signal Types	HDMI, DVI, DisplayPort Multimode
Formats	HDMI V1.3a DVD V1.0 Deep Color
Content Protection	HDCP V1.3
Connector	HDMI Type A Female or DVD-D
Bandwidth	2.25Gbps each colour
TV resolutions PC resolutions	480, 576, 720, 1080 p & I @60Hz 640x480 to 1920x1200 @60Hz

### Digital Audio

Types	Embedded audio in HDMI
Formats	Dolby Digital® Plus Dolby® TrueHD DTS-HD High Res DTS-HD Master Audio™, up to 8chPCM
Connector	HDMI

### Analogue Video

Signal Types	Analogue progressive and interlaced
Formats	RGBHV, YPrPb, Y/C & CV
Impedance	75R
Signal level	1 Volt pk-pk into 75R
Connector	High density HD15 socket
TV resolutions PC resolutions	480, 576, 720, 1080 p & I @60Hz 640x480 to 1920x1200 @60Hz

### Analogue Audio

Type	Analogue stereo
Bandwidth	20-20kHz
Impedance	10K input—51R output
Signal level	2V RMS (max)
Connector	3.5mm jack socket

### HDMI output

Formats	HDMI V1.3a, HDCP V1.3
Bandwidth	2.25Gbps each colour
Connector	HDMI Type A Female or DVD-D
Resolutions	800x600 to 1029x1080p @60Hz

### Power

Voltage	12V DC
Connector	2.1mm DC jack
Max. current	500mA per unit
Power	11.5Watts

### Dimensions

Height	34mm
Width	165mm
Depth	195mm with mounting ears
Weight	100g

### Control

IR signal	38kHz
IR connector	3.5mm jack socket
RS232	<1 15Kbaud
RS232 connector	3.5mm jack socket



made in the UK by

# Smart-e



# Smart-e

Smart-e (UK) Ltd • Hale House Barns • Oakwoodhill • Ockley • Surrey • RH5 5NA • UK  
T +44 (0) 1306 628264 • F +44 (0) 1306 628074 • E info@smart-e.co.uk • W www.smart-e.co.uk

## 4Konnect 4K-RX900

Flexible and cost effective HDBaeT receiver for distances up to 100m of standard CAT5e-8 cable



The 4K-RX900 is a receiver designed to extend HDMI, DVI or DisplayPort, together with reverse IR and bidirectional RS232 signals over a single twisted pair CAT 5e-8 cable. The units use HDBaseT technology to extend 12 bit Deep Colour 3D, 4K and 2K resolutions together with 1080p @60Hz

**Extend HDMI, DVI or DisplayPort IR, RS232 over a single 100m of CAT 5e-8 cable with inline power**

Wide band Infra-Red via external adapters (SM-EYER & SM-LED) and RS232 signals are extended through the same CAT 5e-8 cable together with 24V DC inline power up to 100m of cable. The box has fixing holes to facilitate ease of installation and multiple units can fit side by side on a 1U 19" rack shelf.

The 4K-900 range from Smart-e provides a flexible and cost effective solution for point to point transmission for a single source to a single display



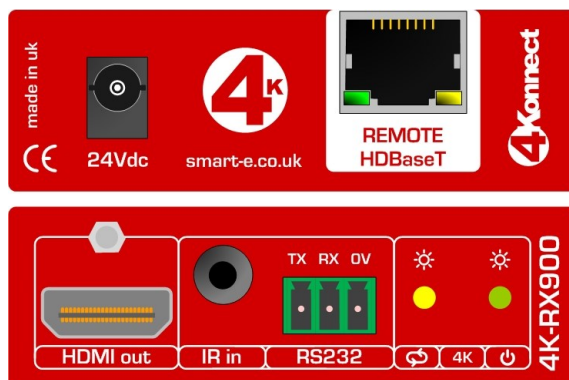
### The Smart-e 4K-RX900 features

- HDMI, DVI & DisplayPort formats
- Deep Colour 3D, 4K and 2K
- 100m of CAT5e-8 cable
- HDCP compliant
- Wide bandwidth IR transmission
- Uses easy to install single CAT5e-8 cable
- Transparent RS232 passthrough
- Supports 1920x1200 @ 60 Hz
- Total cable distance up to 100m
- Cost effective, multi-function unit
- 19" x 1U rack kit for up to 4 x units
- Secure HDMI connector
- Locking DC connector
- High ground loop immunity
- Inline power
- Convenient fixing holes





Smart-e (UK) Ltd • Hale House Barns • Oakwoodhill • Ockley • Surrey • RH5 5NA • UK  
**T** +44 (0) 1306 628264 • **F** +44 (0) 1306 628074 • **E** info@smart-e.co.uk • **W** www.smart-e.co.uk



## Video

Signal Types	HDMI, DVI, DisplayPort Multimode
Formats	HDMI w/Deep Color 3D, 4K, 2K
Content Protection	HDCP V1.2
Connector	HDMI Type A Female
Cable Types	CAT 5e, CAT 6/6e, CAT 7, STP, FTP
TV resolutions PC resolutions	480, 576, 720, 1080 p & i 640x480 through to 1920x1200

## Audio

Types	Embedded audio in HDMI
Digital Formats	Dolby Digital® Plus Dolby® TrueHD DTS-HD High Res DTS-HD Master Audio™, up to 8chPCM
Digital Connector	HDMI

## CAT 5 signals

Pair 1	HDBaseT pair 1
Pair 2	HDBaseT pair 2
Pair 3	HDBaseT pair 3
Pair 4	HDBaseT pair 4

## Power

Voltage	24V DC
Connector	2.1mm DC locking jack
Max. current	200mA per unit
Power	5Watts

## Dimensions

Height	22mm
Width	77mm
Depth	130mm
Weight	100g

## Control

IR signal	30-500kHz
IR connector	3.5mm jack socket
RS232 pass-through	<115Kbaud
CEC	Yes

